



Warsaw

GENERAL SPECIFICATIONS

# CONTROL UNITS

# MD-2... MD-4...

series U3

## GENERAL PURPOSE

CONTROL UNITS type **MD-2, MD-2.A, MD-2.Z, MD-2.ZA, MD-4, MD-4.A, MD-4.Z, MD-4.ZA** are dedicated to use with two-threshold detectors type **DEX/F, DG/F, DG.EN** made by GAZEX.

MD is available in two versions: two-channel (MD-2...) or four-channel (MD-4...).

MD saves the alarm status of each detector connected to, until the manual reset of memory by operator.

MD allows control of the external devices: ventilators, contactors, etc., as well.

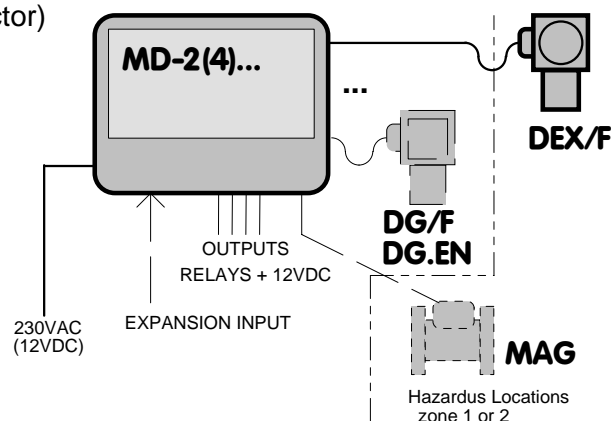
Control units are available in both voltage supplies: 230AC or 12VDC.

MD...Z sends the high-current signal to self-closing safety valve MAG type.



## OPERATIONAL FEATURES

- Supply to all detectors - 9VDC, overload control (each detector)
- Connections control circuit
- Optical and acoustic signaling state of each detector/output
- 12VDC low current supply for external devices
- Alarm inputs, isolated, to connect other MD or systems
- 12V Alarm outputs for warning lamps and sirens
- Relay outputs (each level)
- „AWARIA” - Fault relay output
- MD...Z: 12VDC high current output to shut-off valve (with connection control)



TYPICAL SYSTEM CONFIGURATION

## SELECTING TABLE

MODEL	MD-2	MD-2.A	MD-2.Z	MD-2.ZA	MD-4	MD-4.A	MD-4.Z	MD-4.ZA
Max No of Detectors (channels)	2	2	2	2	4	4	4	4
Relay Outputs	2	2	2	2	2	2	2	2
12VDC Alarm Outputs	2	2	2	2	2	2	2	2
12VDC Inputs (isolated)	2	2	2	2	2	2	2	2
12VDC high-current Output	-	-	1	1	-	-	1	1
Power supply	230VAC	12VDC	230VAC	12VDC	230VAC	12VDC	230VAC	12VDC

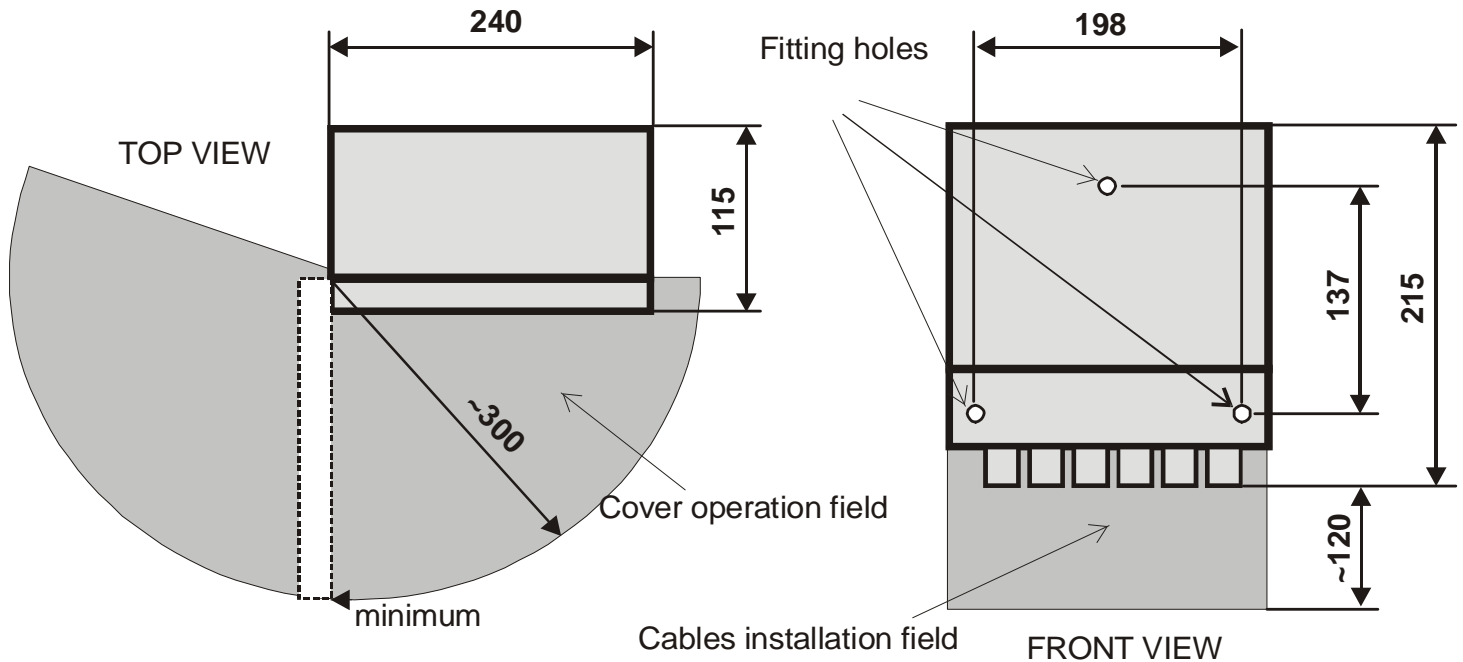
PRODUCER: **GAZEX**  
**gazex** Baletowa 16, PL 02-867 Warsaw, POLAND  
 Tel: +48 22 644 2511 Fax: +48 22 641 2311  
 gazex@gazex.pl www.gazex.com

©gazex '2011. All rights reserved. The gazex logo, gazex, dex are registered trademarks of GAZEX.

### LIFE IS SAFE WITH US!

©gazex

## INSTALLATION REQUAIREMENTS



## TECHNICAL SPECIFICATION

Supply voltage	MD-2, MD-4, MD-2.Z, MD-4.Z: 230VAC (allowed: +10%,-14%), 50Hz; MD-2.A, MD-4.A, MD-2.ZA, MD4.ZA:12VDC (allowed: 10.5V ÷ 13.8V)
Power consumption	max 15W (MD...A: max 12W)
Operating temperature	-10°C ÷ 40°C allowed +5°C ÷ 35°C recommended -15°C ÷ 45°C instantaneous allowed (<2h/24h)
Storage temperature	-10°C ÷ 40°C (5°C ÷ 35°C recommended for MD...Z )
Number of channels	<b>2</b> - (MD-2... ); <b>4</b> - ( MD-4... )
Alarm levels	two: warning - A1 (ALARM 1), alarming - A2 (ALARM 2) – closing valve for MD...Z
Alarm memory	inputs: LED for each channel and level + buzzer outputs: LED for each level; Memory Disable DIP switch
Memory delete	manual reset button
Inputs/outputs timing	inputs delay: approx. 60s after switch on outputs delay: approx. 20s; outputs disable Service Mode DIP switch
Visual indication	ALARM1 – red LED ALARM2 – red LED
Acoustic	internal buzzer – approx. 60dB/1m; Buzzer Disable switch
Detectors supply voltage	9VDC, green LED indication for each detector
Fault alarm	“AWARIA” FAULT - yellow LED
Fast test signal release	manually, „TEST” button (under terminal cover)
Power indicator	green LED
Relay outputs	<ul style="list-style-type: none"> <li>■ NC/NO for A1 and A2, non-voltage; max load: 4A (resistive load) or 2A (motor) or 0,6A (inductive fluorescent lamps); 230VAC or 24VDC;</li> <li>■ NC/NO for AWARIA (Fault): max 30VAC or 24VDC, max 4A</li> </ul>
Voltage outputs	<ul style="list-style-type: none"> <li>■ 12VDC for A1, A2; summary load = max 0.3A, (supply for SL, S-3, LD)</li> <li>■ 12VDC impulse, A2, high-current , to cut-off valve (MD...Z only)</li> <li>■ 12VDC supply for external MDX or others (max load = 0.2A)</li> </ul>
Inputs	12VDC (photocouplers, 5÷16V, max 20mA) for A1, A2; non-delay, for extension from other MD units
Dimensions, weight	215 x 240 x 115 mm, ( H x W x D), approx. 1.5 ÷ 1.8kg
Enclosure	ABS, 6 cable glands, IP54, 3-point fitting